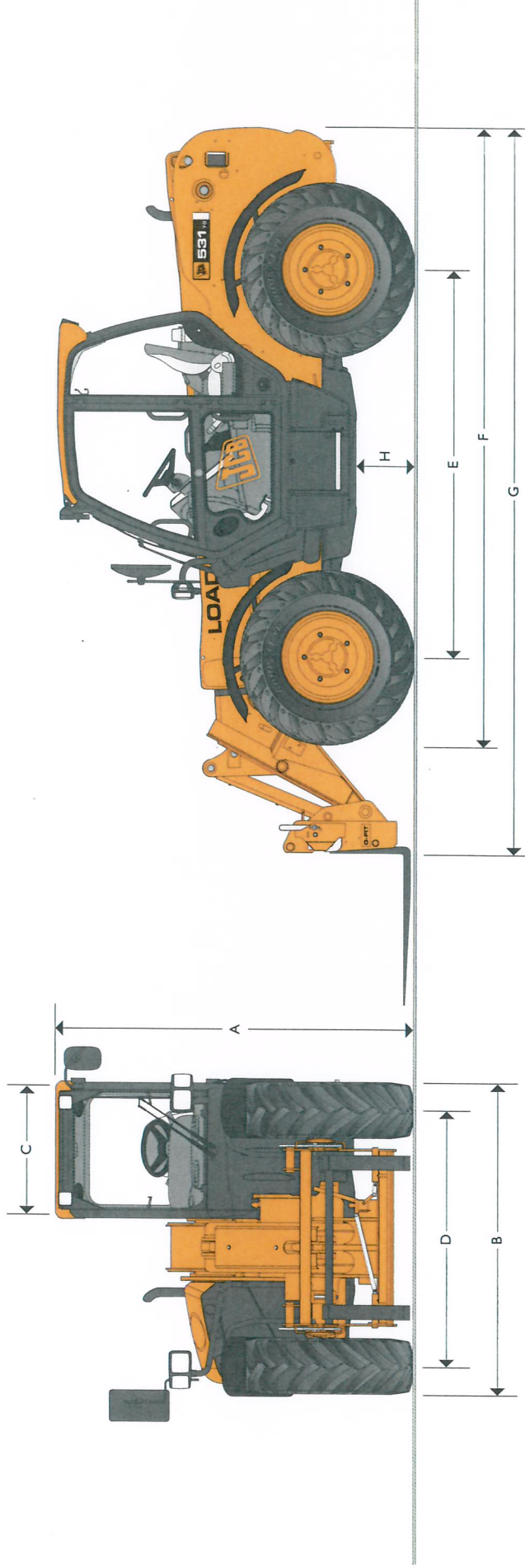


MAX. PAYLOAD: 3.1 tonnes (6832lb)  
 MAX. LIFT HEIGHT: 7 metres (23ft)

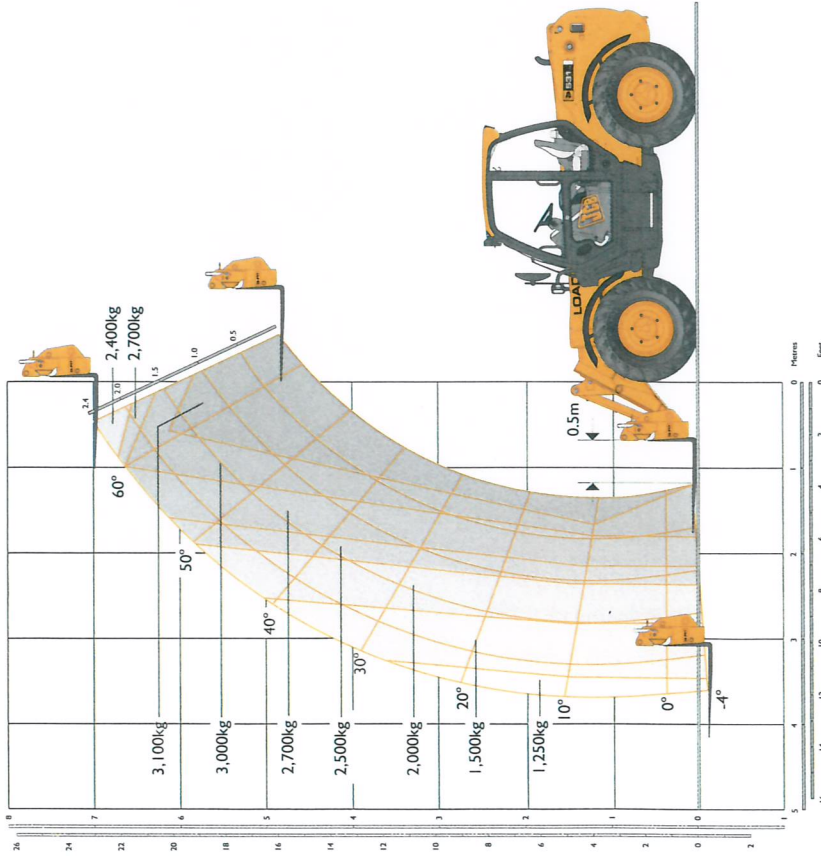


## STATIC DIMENSIONS

Machine model	531-70	Machine model	531-70
	m (ft-in)		m (ft-in)
A Overall height	2.49 (8-2)	G Overall length to front carriage	4.99 (16-4)
B Overall width (over tyres)*	2.23 (7-4)	H Ground clearance	0.40 (1-4)
C Inside width of cab	0.94 (3-1)	Outside turn radius (over tyres)	3.7 (12-2)
D Front track	1.81 (5-11)	Weight - Fixed	6900 (15215)
E Wheelbase	2.75 (9-0)	Tyres	15.5/80-24
F Overall length to front tyres	4.38 (14-4)		

\*Dependant upon tyre specified.

## LIFT PERFORMANCE – 531-70



## LIFT PERFORMANCE – 531-70

Machine Model	531-70
Maximum lift capacity	3100 (6834)
Lift capacity to full height	2400 (5291)
Lift capacity at full reach	1250 (2756)
Lift height	7.0 (23-0)
Reach at maximum lift height	0.48 (1-7)
Maximum forward reach	3.7 (12-2)
Reach with 1 tonne load	3.7 (12-2)
Placing height	6.3 (20-8)

Complies with stability test EN 1459 Annex B.



## ENGINE

Latest technology and advanced design provides low fuel consumption, reduced noise, high torque and power output, total reliability and minimal maintenance.

Machine Model – 531-70	Standard	Option
Displacement	4.4 (269)	4.4 (269)
No. of cylinders	4	4
Bore size	103 (4.05)	103 (4.05)
Stroke	132 (5.0)	132 (5.0)
Aspiration	Naturally Aspirated	Turbo
Power rating		
Power @ 2200rpm	63.0 (84.5)	74.2 (100)
Torque rating		
Torque @ 1200rpm	320 (236)	–
Torque @ 1300rpm	–	425 (313)

## TRANSMISSION

JCB powershift transmission incorporating torque converter, bevel box and a 4 speed powershift gearbox in one resiliently mounted unit.

A combined steering column mounted switch incorporating directional control and 4 forward and 4 reverse powershift gears. Travel speed 28kph (17mph) 32kph (20mph) when 2/4WD select is ordered.  
**Front and rear drive axles:** JCB epicyclic hub reduction drive/steer axles with Max-Trac torque proportioning differentials. Permanent 4 wheel drive.

## BRAKES

**Service brakes:** Hydraulically activated, self-adjusting, oil-immersed in-board multi-disc type on front axle.  
**Parking brake:** Hand operated disc brake on output of gearbox.

## BOOM AND CARRIAGE

Boom is manufactured from high tensile steel.  
 Low maintenance, hard wearing pads.  
 JCB Q-fit self-leveling carriage with lever operated pin locking accepts pallet forks and a wide range of attachments.  
 One boom end auxiliary hydraulic service fitted as standard.

## SAFETY CHECK VALVES

Fitted to carriage lift, telescopic and boom lift rams.

## SERVICE CAPACITIES

Fuel tank	litres (UK gal)	148 (32.5)
Hydraulic tank	litres (UK gal)	113 (24.8)
Coolant	litres (UK gal)	23 (5.1)

## HYDRAULICS

Two (three stage for turbo) stage gear pump with suction strainer and filter.

	bar (psi)	241 (3500)
Operating system pressure	litrs	82
Main Hydraulics	litrs	44
Steering System (Turbo Only)	litrs	37
Cooling System	litrs	163
Total Flow		
Hydraulic Cycle Times		<b>Seconds</b>
Boom raise		7.2
Boom lower		5.4
Extend		6.8
Retract		5.0
Bucket dump		3.5
Bucket crowd		2.9

## ELECTRICS

12 v negative earth, 145 AH battery, 95 amp alternator. Full road lighting, Reversing light, Direction indicators, Hazard warning, Reverse alarm.

## CAB

Quiet safe and comfortable cab conforms to ROPS ISO 3471 and FOPS ISO 3449. Tinted glass all round. Laminated roof screen. Roof bars, front, rear and roof screen wash/wipe and heater/screen demister. Opening rear window. Audio-visual warning system for coolant temperature, engine oil pressure, air cleaner, battery charge, transmission oil temperature and pressure, water in fuel. Hourmeter and road speed indicator. Engine temperature, fuel gauge and inclinometer.  
 Mechanical joystick, direct acting hydraulic control levers. Adjustable steer column with stalk bar powershift change and forward reverse shuttle. Throttle and brake pedal. Adjustable deluxe seat with adjacent park brake fitted.  
 Automatic eye level audio-visual load moment indicator warning system receiving a signal from a load sensor on the rear axle.  
 This system continuously monitors the machine's forward stability and leaves the operator in control at all times.  
 Safety canopy as above but with side glass and roof glass only (screen wiper and heater/screen demister not applicable).

## STEERING

Hydrostatic power steering with power track rods on both axles.  
 Three steer mode options: front wheel steer, all wheel steer, crab steer, operated from in the cab by a selection switch, or with automatic alignment.

## OPTIONS AND ACCESSORIES

**Options:** Front and rear working lights, rotating flashing beacon, fire extinguisher, radial industrial tyres, electrical 2/4WD select, limited slip differential in front axle, windscreens and roof guard, air suspension seat, deluxe cab trim, roof and front screen blind, radio kit, heavy duty battery, air conditioning, reversing fan, deluxe trim, armrest (SLC only), smoking pack.  
 Single lever mechanical joystick, with push button extend and retract.

**Attachments:** Contact your local dealer for details of the comprehensive range.