
















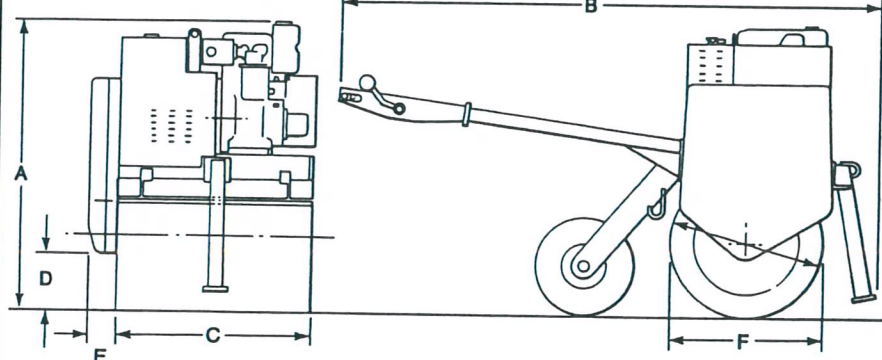
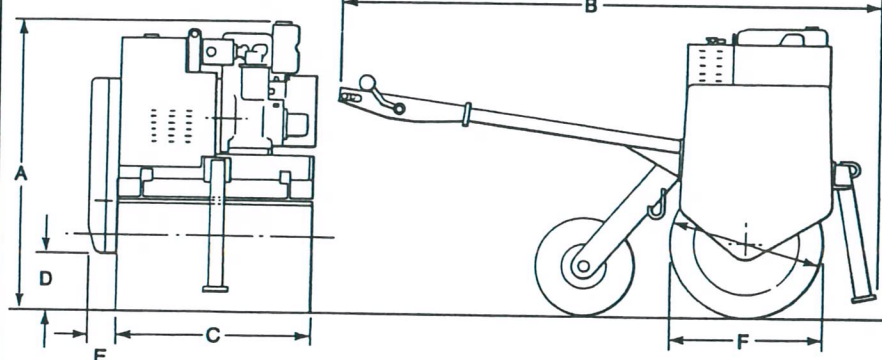
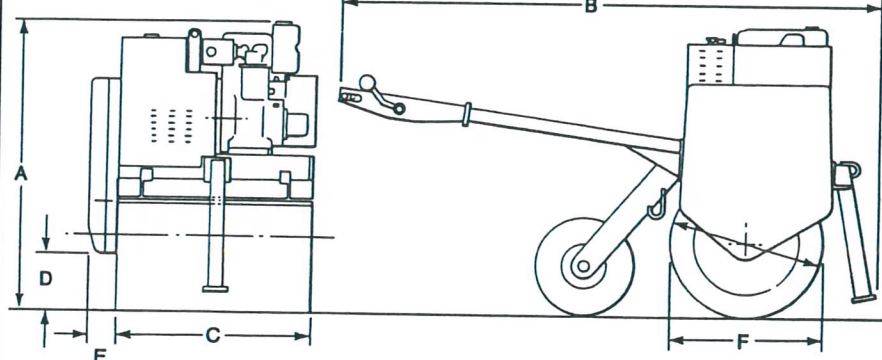
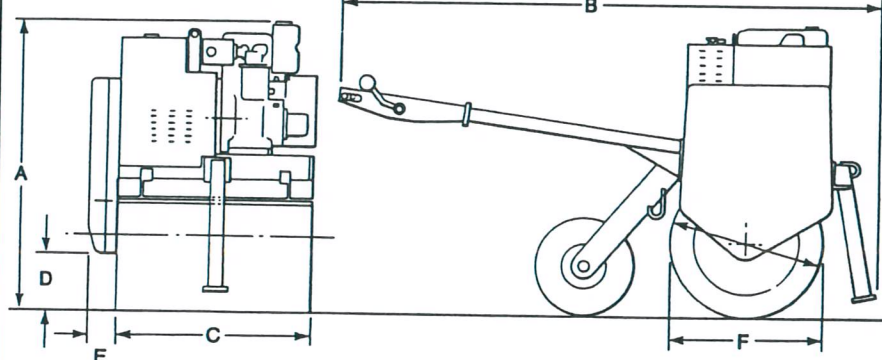
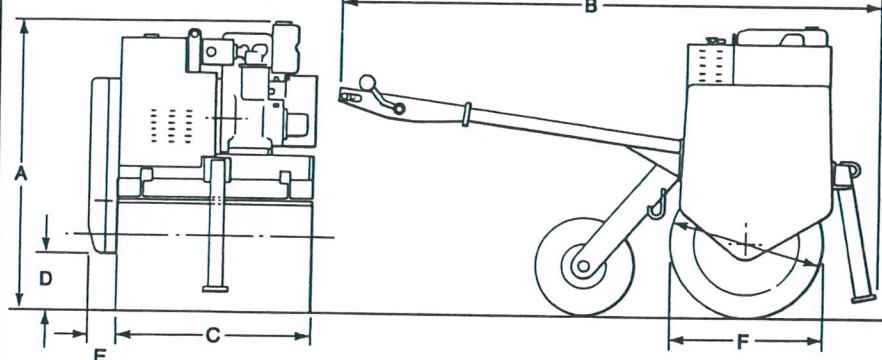
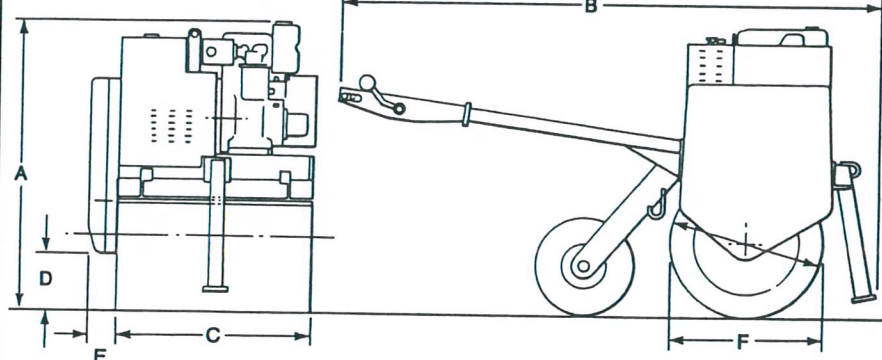


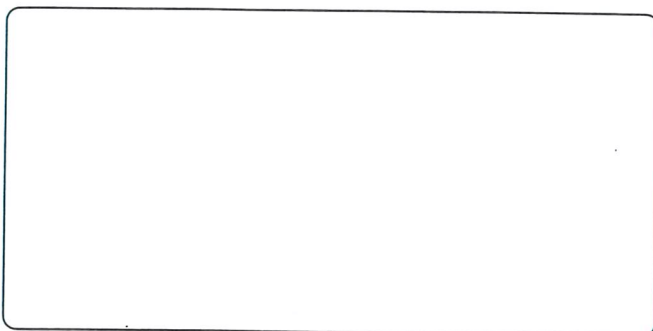
1-71 BP ROLLER (75E)

Data

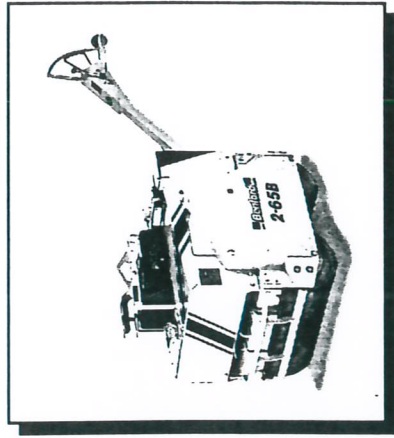
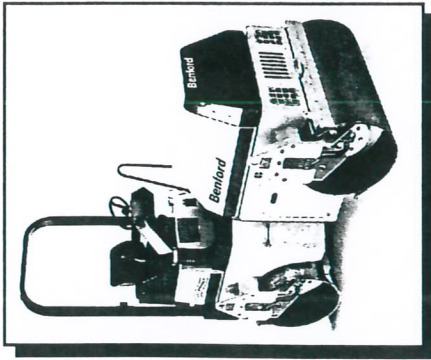
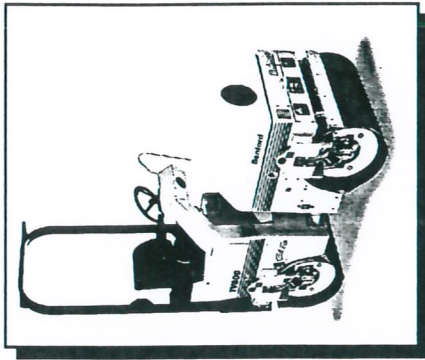
	1-71	MBR71		1-71	MBR71		1-71	MBR71
	427	470		33%	33%		25	20
	601	661		25%	25%		Stanley BR67	
	Lister LV1			65	65		Towit	
	6.48	6.48		9.02 KN	9.02 KN		175	
	2500	2500		-	7.5		5.90 x 13-4 ply	
	0-3.2	0-3.2		4.7	4.7			

	1-71	MBR71
	1200	1200
	1995	1995
	710	710
	410	410
	16	16
	575	575

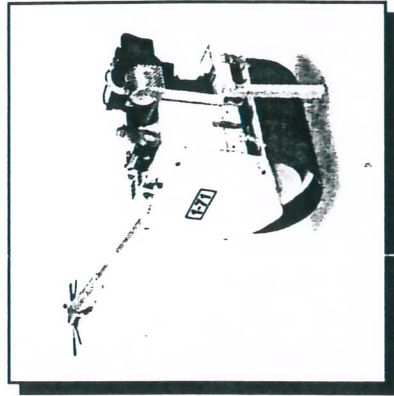
The right is reserved to amend these dimensions and specifications at any time without notice.



ROLLERS



TV800	1426	1556	973	10.1 10.5	3000	6.5	40%	30%	22	86	Both Rear	52	0.50	12.5	1900	30"	8'		
TV800H	1500	1630	1019	10.1 10.5	3000	6.5	40%	30%	22	86	Both Rear	52	0.50	12.5	1900	30"	8'		
TV900	1493	1620	900	10.1 10.5	3000	6.5	40%	30%	22	86	Both Rear	52	0.53	13.1	1850	30"	8'		
TV1000	2376	2560	1280	19.5	2500	10	40%	30%	38	180	Both Rear	51.00	0.50	21.00	3075	30"	15'		
TV1200	2711	2895	1206	19.5	2500	10	40%	30%	38	180	Both Rear	51.00	0.55	29.00	2975	30"	15'		
TV1200H	3135	3335	1390	19.5	2500	7.5	40%	30%	50	200	Both Rear	51.00	0.55	29.00	3050	30"	15'		
TV1300	3365	3565	1371	29.0	2500	7.5	40%	30%	50	200	Both Rear	51.00	0.54	31.00	2950	30"	15'		



1-71	427	601	Lister LV1 Hatz	6.48	2500	0-3-2	33%	25%	9.02KN	4.7	25	65	25%		4.7	
2-65	640	492	Lister LV1 Hatz 1D41	6.2 5.4	2750	0-3-2	50%	33%	19KN	8.25	35	72	33%		8.25	



The right is reserved to amend these dimensions and specifications at any time without notice.